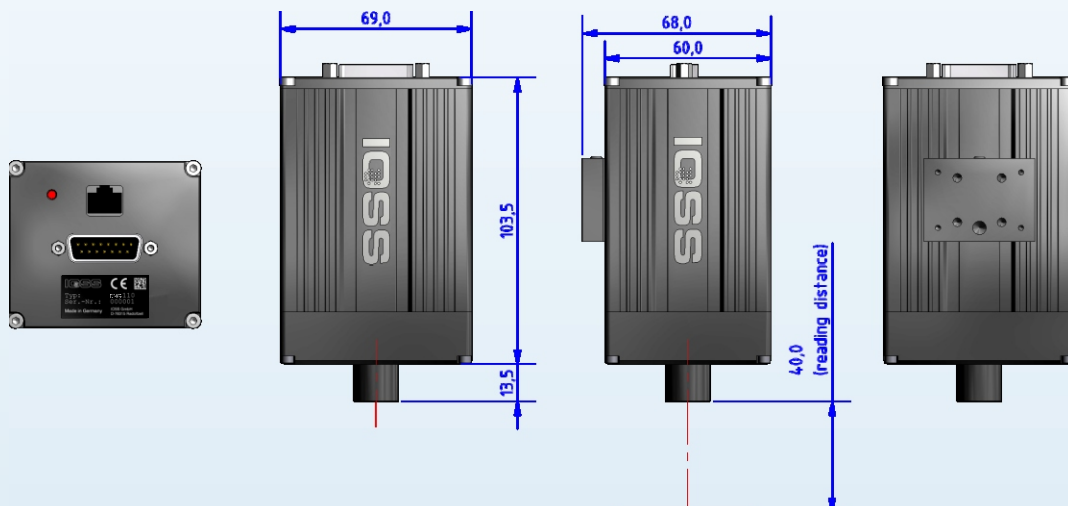


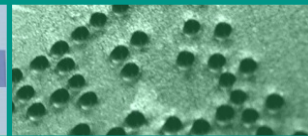
## DMG110 - 2D Code Reader for extremely small codes Compact - Easy Setup - Reliable!

The DMG110 code reader is designed to identify tiny 2D codes on flat reflective or transparent surfaces. It is possible to read codes with external dimensions smaller than 0.4mm. The integrated LED Lighting allows to achieve high contrast images using incident light without a need for transmitted light, which is usually used in that applications. The resulting benefit are shorter set-up times.



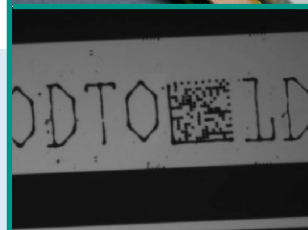
In just a few quick and easy steps, you can configure the DMG110 using the intuitive graphical user interface. Communications and connectivity can be flexibly configured using Ethernet and RS232. The DMG110 is the perfect tool to create a continuous product traceability in your production line. Applications range from electronic components, as LCD displays, OLEDs or microchips to semiconductor wafers.





## DMG110 Technical Specifications

Application area	Scanning 2D codes, focus on tiny codes on transparent or reflective surfaces, Data matrix (ECC 200), QR code, (Barcode 39, 128)
Sensor technology	CCD 640x480 pixels, (optional 1024x768 pixels), global shutter
Scanning speed	Up to 20 scans/second
Motion speed	Up to 50 mm/s
Scanning distance	40mm
Image size	3,6 x 2,7 mm, (optional: 4,7 x 3,5 mm)
Smallest module size	Up to 20 microns, depending on optical characteristics
Code grid size	Data Matrix: Up to 48 x 48 square or 16 x 48 rectangular grid (larger on demand) QR code: Up to 53 x 53 (version 9, EC level "L")
Data capacity	Data Matrix: Up to 348 numerical characters, up to 259 ASCII characters (larger capacities on demand) QR Code: Up to 552 numerical characters, up to 335 alphanumeric characters, up to 230 byte (larger capacities on demand)
Code orientation	Freely positionable
Marking method	All common methods, e.g., laser, inkjet printer, printed
Interfaces	- Ethernet - RS232 - PLC lines for trigger, good/bad and busy signal
Teach In	Simple configuration via graphical user interface
Dimensions	69x68x117mm
Weight	Approx. 650 g
Power supply	24 V DC
Temperature range	0 - 40° C
Protection class	IP54
Housing	Aluminium, black anodized



For more information on our product range, please visit us on the Internet: [www.ioSS.de](http://www.ioSS.de)

Subject to change without prior notice.

If you require additional information, please contact us.